



B8 Nitro Buggy

SET-UP SHEET

NAME Fabrizio Martello RACE Peru Nationals DATE Nov 2019
 TRACK La Molina CITY/COUNTRY Peru TRACK CONDITION Low

AIR TEMP 25 F C
 LAPS _____
 BEST LAP TIME _____ in LAP
 TRACK SIZE
 OPEN MEDIUM TIGHT
 TRACK TRACTION
 HIGH MEDIUM LOW

DIFFERENTIAL OIL

FRONT	CENTER	REAR
7k	10k	2k

CLUTCH

SHOE BRAND Red
 COMPOUND ALUM CARBON
 SPRING BRAND reds
 TENSION 1 mm
 CLUTCH SHOES 2 aluminum SHOE

GEARING

SPUR GEAR	50	T
PINION GEAR	14	T

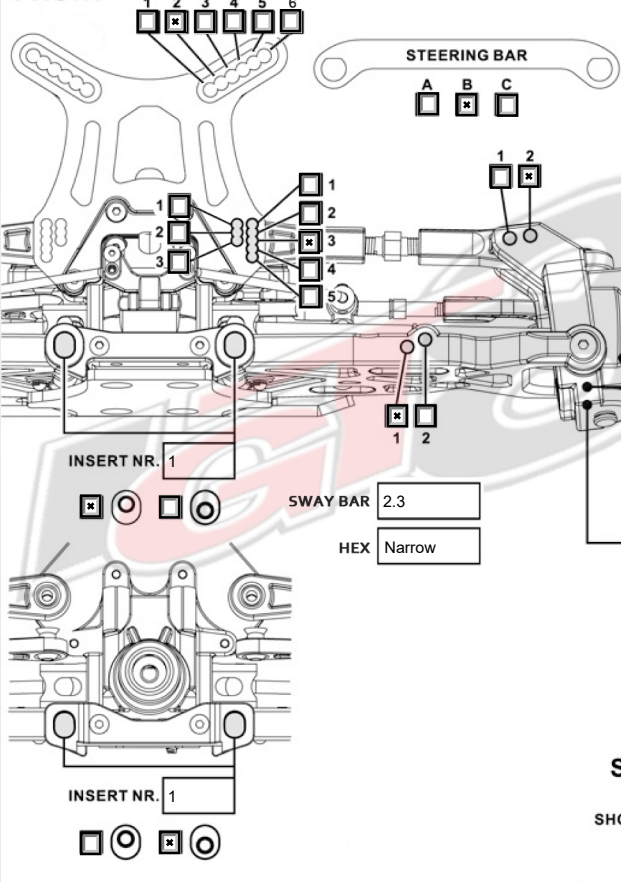
TIRES

FRONT TYPE JCONCEPTS STALKERS
 COMPOUND Black
 INSERT FOAM Gray
 REAR TYPE JCONCEPTS STALKERS
 COMPOUND BLACK
 INSERT FOAM Gray

ENGINE

TYPE S 2103
 PORT _____
 PLUG RP3 GOLD
 NORMAL TURBO
 HEAD CLEARANCE _____
 PIPE _____
OS 2103 with 85 header
 FUEL BRAND Maxima

FRONT



RIDE HEIGHT	25	mm
DROOP	100	mm
CAMBER ANGLE	1	°
TOE ANGLE	1	°

PLASTIC ALUM

CASTER BLOCK
 PLASTIC ALUM

STEERING KNUCKLE ARM
 PLASTIC ALUM

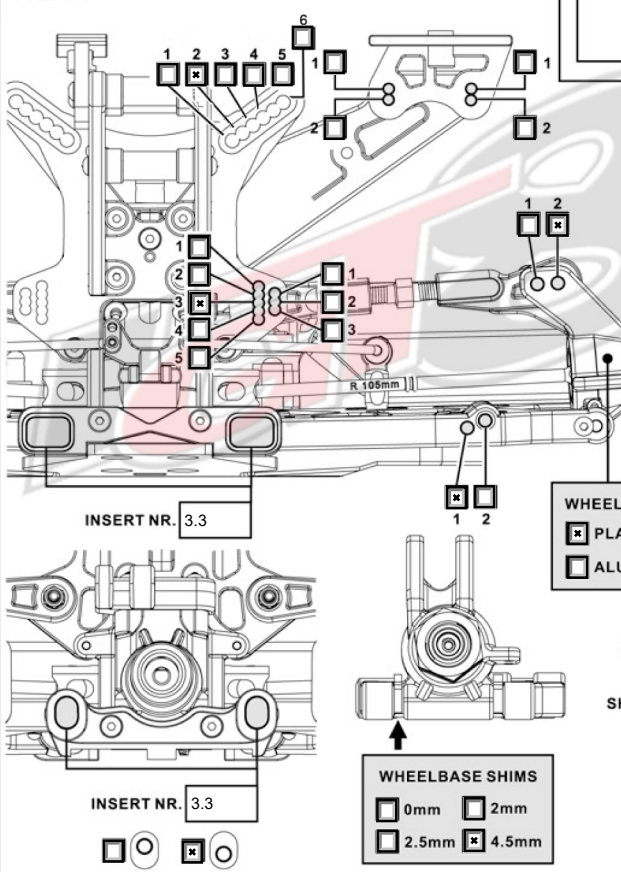
CASTER BLOCK ANGLE
 10
 12
 14

SHOCK

SHOCK LENGTH FRONT _____ mm
 OIL wt. 37.5
 PISTON 6 holes 1.4
 SPRING Whites

SHOCK LENGTH

REAR



RIDE HEIGHT	27	mm
DROOP	110.5	mm
CAMBER ANGLE	2	°

PLASTIC ALUM

SHOCK

SHOCK LENGTH REAR _____ mm
 OIL wt. 35
 PISTON 6 holes 1.6
 SPRING white

SHOCK LENGTH