



NAME _____ RACE _____ DATE _____
 TRACK _____ CITY/COUNTRY _____ TRACK CONDITION _____

AIR TEMP _____ F° C°
 LAPS _____
 BEST LAP TIME _____ in LAP
 TRACK SIZE
 OPEN MEDIUM TIGHT
 TRACK TRACTION
 HIGH MEDIUM LOW

DIFFERENTIAL
 FRONT _____ REAR _____
 OIL wt. _____
 ALU PLASTIC CASE ALU PLASTIC
 NOTES _____

BRACES
FRONT
 3.0 mm 2.5 mm 2.0 mm
REAR
 3.0 mm 2.5 mm 2.0 mm
 FLEX

GEARING
 SPUR GEAR _____ T
 PINION GEAR _____ T

TIRES
 FRONT TYPE _____
 COMPOUND _____
 REAR TYPE _____
 COMPOUND _____

BODY

ELECTRONICS
 CONFIGURATION SINGLE BATT. DUAL BATT.
 ESC _____
 MOTOR _____
 BATTERY _____
 NOTES _____

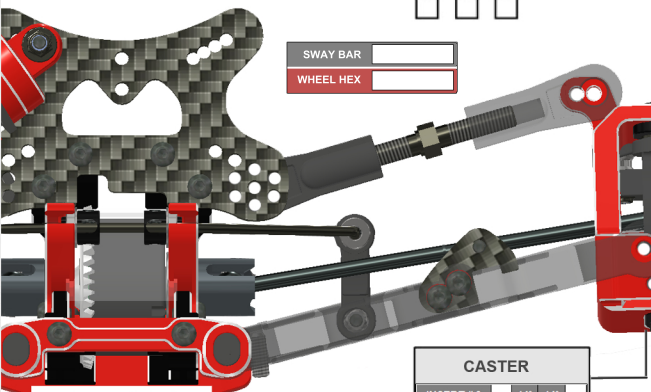
FRONT

TOWER
 HIGH ROLL (HR)
 LOW ROLL (LR)

ACKERMEN
 A B C

SWAY BAR _____
 WHEEL HEX _____

RIDE HEIGHT _____ mm
 DROOP _____ mm
 CAMBER ANGLE _____ °
 TOE ANGLE _____ °

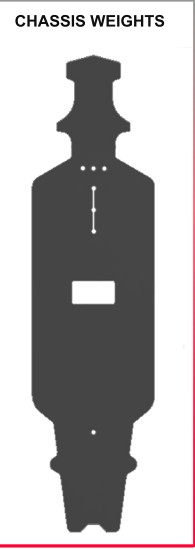


3.0 mm
 2.5 mm
 2.0 mm

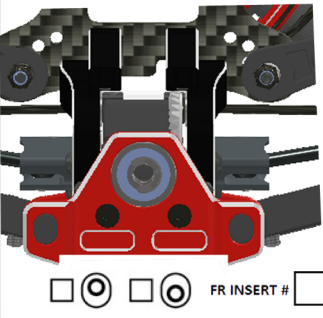
KNUCKLE ARM
 PLASTIC
 ALUMINUM
 WHEEL DISC

CASTER

INSERT # 0	14°	14°
INSERT # 1	13°	16°
INSERT # 2	12°	16°
INSERT # 4	10°	18°
INSERT # 6	8°	20°
INSERT # 8	6°	22°



FF INSERT # _____



SHOCK EMULSION BLADDER

SHOCK LENGTH _____ mm
 OIL wt. _____
 PISTON _____
 SPRING _____

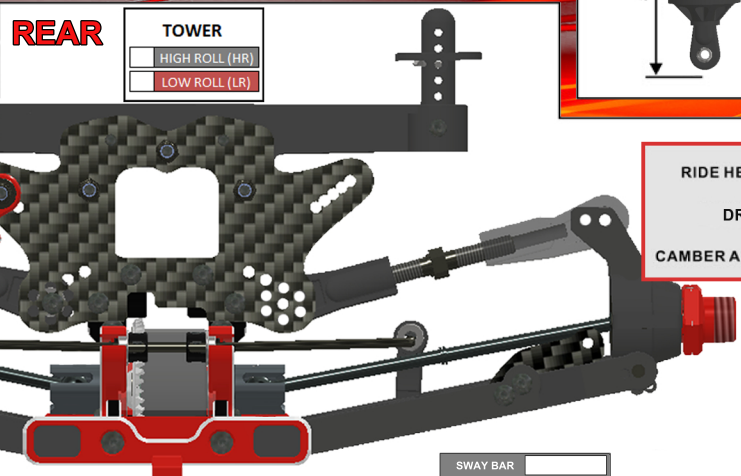
SHOCK LENGTH _____



REAR

TOWER
 HIGH ROLL (HR)
 LOW ROLL (LR)

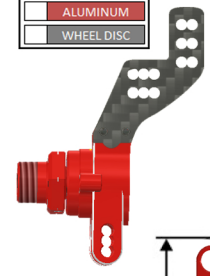
RIDE HEIGHT _____ mm
 DROOP _____ mm
 CAMBER ANGLE _____ °



REAR HUB
 PLASTIC
 ALUMINUM
 WHEEL DISC

Suspension Arms
 FORWARD
 BACK

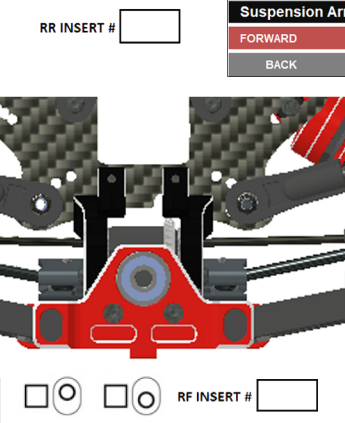
REAR BRIDGE
 YES
 NO



SHOCK
 EMULSION BLADDER

SHOCK LENGTH _____ mm
 OIL wt. _____
 PISTON _____
 SPRING _____

SHOCK LENGTH _____



WHEELBASE SHIMS
 0mm 2mm
 2.5mm 4.5mm

RF INSERT # _____