



NAME Paolo Morganti RACE FNS #5 DATE 01-10-21
 TRACK Homestead V2 CITY/COUNTRY Miami TRACK CONDITION _____

AIR TEMP F C
 LAPS _____
 BEST LAP TIME _____ in LAP
 TRACK SIZE
 OPEN MEDIUM TIGHT
 TRACK TRACTION
 HIGH MEDIUM LOW

DIFFERENTIAL

FRONT REAR
 500 K OIL wt. 50K
 ALU PLASTIC CASE ALU PLASTIC
 NOTES _____

CLUTCH

SPRING _____ mm

 SPRING 0.9 mm
 SPRING _____ mm

MOD 1 **GEARING** **0.8 MOD**

SPUR GEAR 61 T & 57 T
 PINION GEAR 18 T & 22 T

TIRES

FRONT TYPE GQ
 COMPOUND VVS
 REAR TYPE GQ
 COMPOUND VVS

BODY

BLITZ GT5

ENGINE

TYPE ONE GT
 PORT 5
 PLUG RP6
 HEAD CLEARANCE 0.30
 PIPE 2139
 FUEL BRAND Maxima
 NOTES _____

FRONT

TOWER
 HIGH ROLL (HR)
 LOW ROLL (LR)

ACKERMAN
 A B C

SWAY BAR 2.3
 WHEEL HEX STD

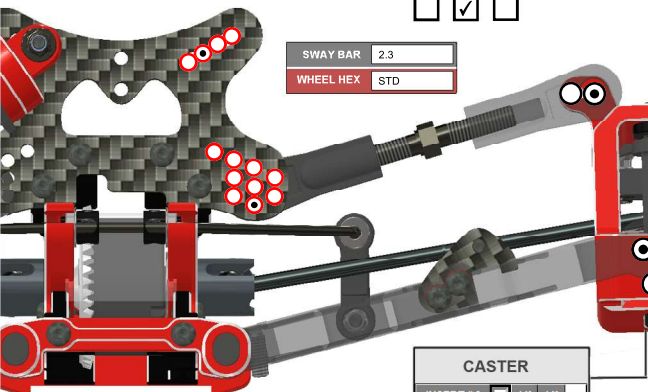
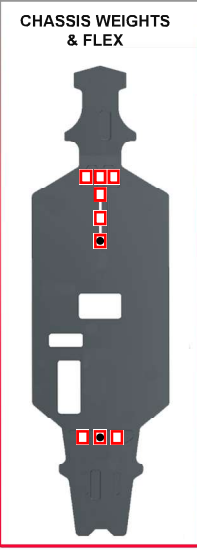
RIDE HEIGHT 8 mm
 DROOP 26 mm
 CAMBER ANGLE 2 °
 TOE ANGLE 1.5 °

FRONT BRIDGE
 3.0 mm
 2.5 mm
 2.0 mm

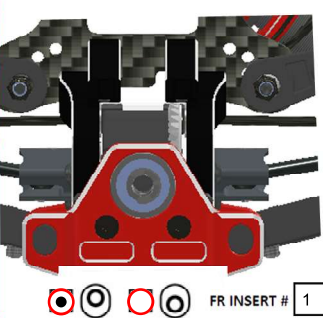
KNUCKLE ARM
 PLASTIC
 ALUMINUM
 WHEEL DISC

CASTER

INSERT # 0	14°	14°
INSERT # 1	13°	16°
INSERT # 2	12°	16°
INSERT # 4	10°	18°
INSERT # 6	8°	20°
INSERT # 8	6°	22°



FF INSERT # 1



SHOCK

FRONT

SHOCK LENGTH 93 mm
 OIL wt. 800
 PISTON 1.4
 SPRING 2.4



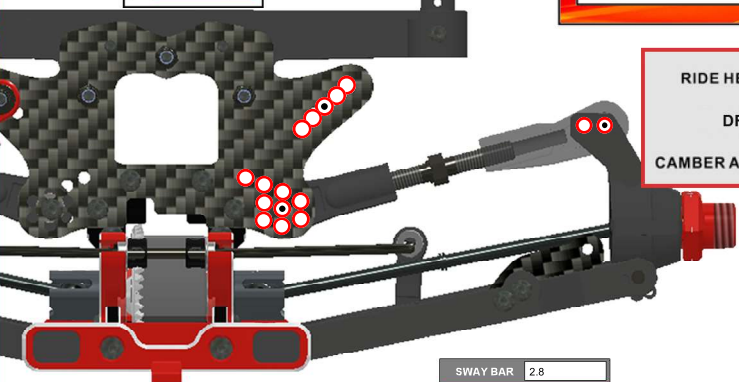
REAR

TOWER
 HIGH ROLL (HR)
 LOW ROLL (LR)

SWAY BAR 2.8
 WHEEL HEX STD

RIDE HEIGHT 9 mm
 DROOP 23 mm
 CAMBER ANGLE 3 °

REAR HUB
 PLASTIC
 ALUMINUM
 WHEEL DISC



RR INSERT # 2.5

Suspension Arms
 FORWARD
 BACK

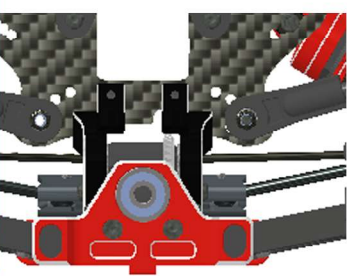


WHEELBASE SHIMS
 0mm 2mm
 2.5mm 4.5mm

SHOCK

REAR

SHOCK LENGTH 93 mm
 OIL wt. 800
 PISTON 1.4
 SPRING 2.3



RF INSERT # 2